

SIGN FRAMES

Quantity Discounts Available



Wind Sign II

Plastic double sided sign stand
24" x 36" Display Area
Spring connects to base allowing sign to withstand high winds
Works with corrugated plastic, foamboard, acrylic or aluminum sign blanks
Easily slides in and out, no bolting required
Overall height 48"

Part No. FELWINDSIGN2 \$160.00 Each
Full Color Digital Sign on Corrugated \$72.00 Each

Wind Sign I

Holds 22" x 28" Blank
Part No. FELWINDSIGN \$154.00 Each
Full Color Digital on Corrugated 43.00 Each



Height: 36", Width: 24", Weight: 8 lbs.
Uses Sign Blank Size 22" x 28", Closed Thickness: 2"

Simpo Sign II

36" x 24" Displays two 22" x 28" signs
Made from polyethylene
Use with aluminum or corrugated plastic signs
No hardware required
Available in white only

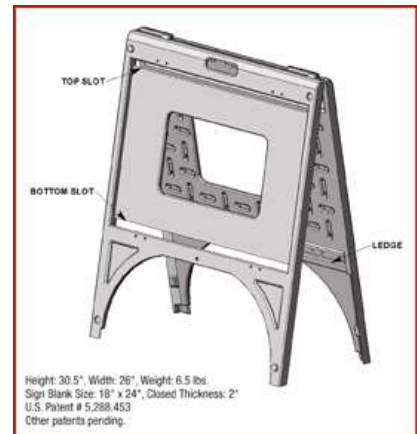
Part No. FELSIMPOSIGN2 \$100.00 Each
Full Color Digital Sign on Corrugated \$ 72.00 Each



Realicade

White or Black
Holds 24 x 18 Sign and 24 x 6 rider
Lightweight polyethylene
Install using push foot mounts or hammer knobs
No fading, rust, splintering or painting

Part No. FELREALICADEB Black \$28.00 Each
Part No. FELREALICADEW White \$36.00 Each
Full Color Digital Sign on Corrugated \$80.00 Each
Full Color Rider on Corrugated \$20.00 Each



Height: 30.5", Width: 26", Weight: 6.5 lbs.
Sign Blank Size: 18" x 24", Closed Thickness: 2"
U.S. Patent # 5,288,453
Other patents pending.

Signcade, Minicade and Squarecade

White or Yellow
Signcade is 24" x 36" display area
Squarecade is 24" x 24" display area
Minicade is 12" x 36" display area

ZIM-2 x 3 Yellow or White \$ 88.00
GRI-13 x 36 Mini White 58.00
GRI-25 x 36 Squ Yellow or White \$ 94.00
GRI-Well-Nut \$25.00



Changeable Letter Kit for Signcades

Includes 2 boards with tracks
350 Letters and numbers, "Sale" and "Special" headers

Cost \$200.00 **FREE Assembly**



Quik Sign

30.5" x 26" Sign Displays 2 - 24" x 18" Signs
Made from polyethylene
No hardware needed
Available in white only

Part No. NEPQUICKSING \$60.00 Each
Full Color Digital Sign on Corrugated \$36.00 Each

NEW! Signcade Slide In Black or White

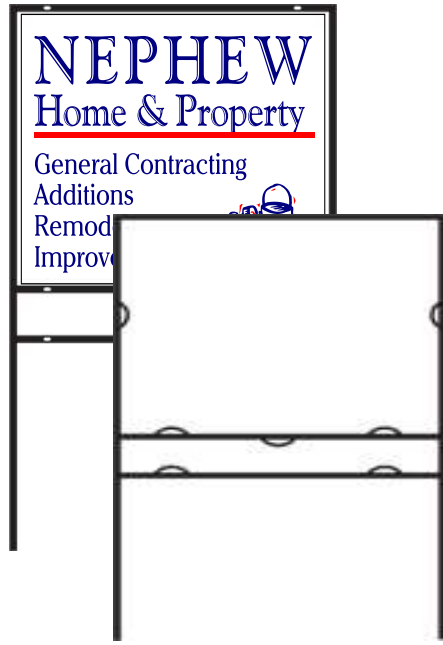
Signcade is 24" x 36" display area
Signs simply slide in, no hardware required

NEPBlack \$105.00
NEPWhite \$105.00



For More Info E-Mail: info@signs123.net

Quantity Discounts Available



Real Estate Frames

3/4" Angle Iron, Black Finish
Main Panel + 6" rider slot
Holds Corrugated Plastic, 1/8" PVC or Aluminum

Part No. 24x18RESIGN \$37.00 Each
Part No. 28x22RESIGN \$40.00 Each

Full Color Digital Sign on Aluminum - Double Sided
24 x 18 \$108.00 Each
28" x 22" \$145.00 Each



Vinyl Swing Arm Post

Post: 4" x 4" x 60" Tall
Constructed from rigid white vinyl
Arm: 2" x 3 1/2" x 40" long
Easy to assemble, drive stake into ground, slide post over stake and hang your sign
Includes mounting hardware for your sign
Holds up to 32" wide sign

Part No. GRIREPW \$109.00 Each

Full Color Digital Sign on Aluminum - Double Sided
24 x 18 \$108.00 Each
28" x 22" \$145.00 Each



Metal A-Frame Signs

1" Angle Iron with black finish
Accepts Corrugated Plastic, PVC, or Aluminum Panels (aluminum recommended)

Part No. 24x36AFRAME \$85.00 Each
Part No. 24x18AFRAME \$60.00 Each
Full Color Digital Sign on .040 Aluminum
24 x 36 \$108.00 Each 24 x 18 \$54.00 Each

"T" Bar Stakes

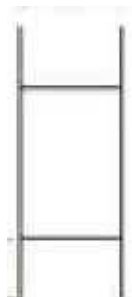
3/4" Angle iron, black finish
4 mounting holes + 2 holes in stake
8" wide welded foot push

Qty. 1 - 9 \$12.50 Each
Qty. 10-49 \$10.50 Each
Qty. 50+ \$10.00 Each



"H" Step Stakes For Corrugated Signs

Qty. 1 - 5 \$2.50 Each
Qty. 2 - 10 \$2.25 Each
Qty. 11 - 25 \$2.00 Each
Qty. 26 or more \$1.75 Each



For More Info E-Mail: info@signs123.net